

## ◀ SUPERWINCH SEILWINDEN ▶

**ATV 2300**  
1043 kg Zugkraft



**ATV 1800**  
816 kg Zugkraft



**ATV 3000**  
1360 kg Zugkraft



Mit Kipp-  
schalter für  
Vorwärts- /  
Rückwärtslauf



### Beschreibung

- Anbau vorne oder hinten
- Drei verschiedene Ausführungen
- Starker Elektromotor
- Montagekit für alle Modelle
- 15 m Seillänge

	ATV 1800	ATV 2300	ATV 3000
Zugkraft	820Kgs	1040Kgs	1360Kgs
Leistung	0,7CV (0,5Kw)	0,7CV (0,5Kw)	0,7CV (0,5Kw)
Übersetzung	136 : 1	136 : 1	136 : 1
Gewicht	5,9 kg	6,4 kg	6,8 kg
Seillänge	15m	15m	15m
Bremse	mechanisch und dynamisch		
Kabelsatz	extra bestellen*	inklusive	inklusive
Art.-Nr.:	<b>RSPW1800</b>	<b>RSPW2300</b>	<b>RSPW3000</b>

\*Kabelsatz für ATV 1800 RSPW1800G

Montagekit auf gegenüberliegender Seite

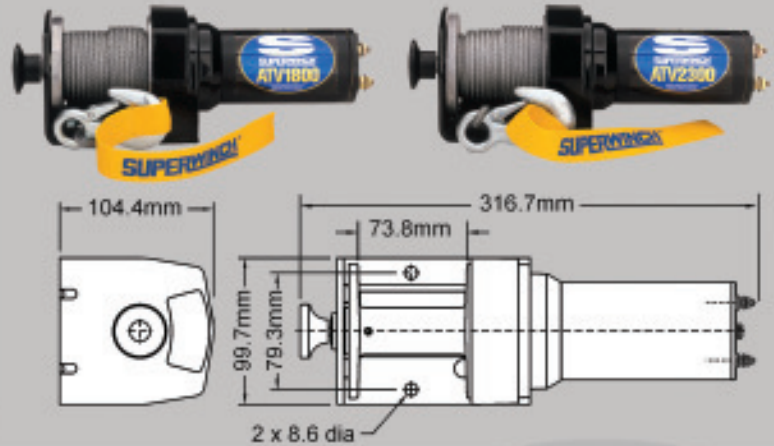


Anbauteile für ATV 2300 / ATV 3000 inklusive



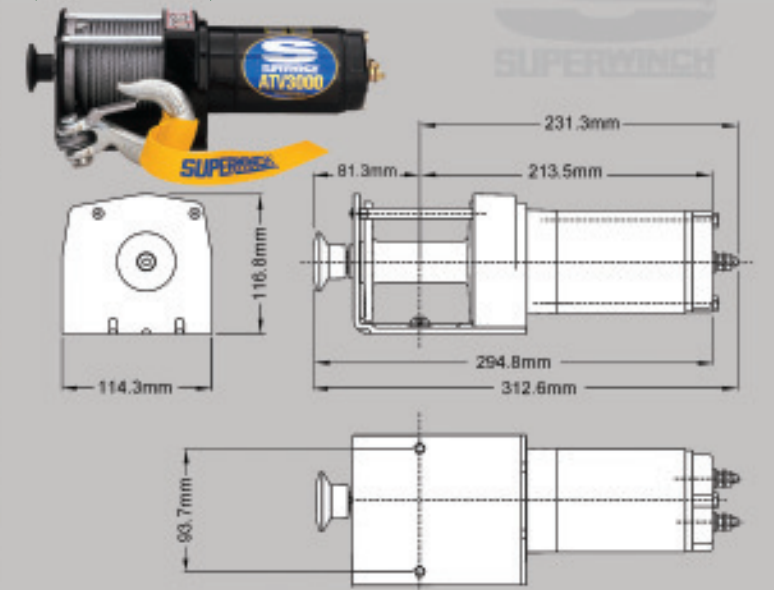
Elektro-Kabelsatz für ATV 1800 extra bestellen

## ◀ ATV 1800 ▶



## ◀ ATV 2300 ▶

## ◀ ATV 3000 ▶



## Fernbedienungsschalter



Art.-Nr. :

RSPW06212

An/Aus Schaltung

Bis zu 50m Entfernung

sehr kleine Antenne

Adapterkit für SPW  
1800/2300/3000



## ◀ Montagekit Modellübersicht ▶

Bombardier	Art.-Nr.
330 Outlander H.O. 4x4	04- RSPW02865
400 Outlander 4x4	03-04 RSPW02865
400 Outlander Max 2x4	05- RSPW02865
400 Outlander Max 4x4	04- RSPW02865
500 Traxter XL 4x4	01- RSPW02866
500 Traxter Max 4x4	03-04 RSPW02866
500 Traxter 4x4	99-03 RSPW02866
500 Traxter XL 4x4	03-05 RSPW02866
500 Quest 4x4	03- RSPW02866
650 Quest	02-03 RSPW02866
Arctic Cat	Art.-Nr.
300 Manuel MRP 4x4	04- RSPW02380
300 Manuel 4x4	02-03 RSPW02380
375 Automatic 4x4	02- RSPW02380
400 i Manuel 4x4	02- RSPW02380
400/400 i Manuel 4x4	02- RSPW02380
400 Automatic ACT 4x4	03-04 RSPW02380
400 Manuel ACT 4x4	03-04 RSPW02380
400 Automatic 4x4	03-04 RSPW02380
400 Manuel ACT MRP 4x4	04- RSPW02380
500 4x4 2-up	05- RSPW02873
500 i Automatic 4x4	05- RSPW02380
500 i Manuel 4x4	02- RSPW02380
500 Automatic 4x4	02-05 RSPW02380
500 Automatic TBX 4x4	02-05 RSPW02380
500 Automatic TRV 4x4	04- RSPW02380
500 Manuel 4x4	02-05 RSPW02380
650 Automatic 4x4	05- RSPW02873

Polaris	Art.-Nr.
300 Xplorer 4x4	96-99 RSPW02872
325 Magnum 4x4	00-01 RSPW02872
330 Magnum 4x4	02-04 RSPW02872
330 ATP	04- RSPW02872
400 L Explorer 4x4	95-02 RSPW02872
400 Sportsman 4x4	01-03 RSPW02872
400 Sportsman 4x4	04- RSPW02863
425 Expedition 4x4	00- RSPW02872
500 ATP H.O.	04- RSPW02872
500 Xplorer 4x4	97- RSPW02872
500 Magnum 4x4	99-00 RSPW02872
500 Sportsman 4x4	96-02 RSPW02872
500 Sportsman 6x6	00-02 RSPW02872
500 Sportsman H.O. 4x4	02-03 RSPW02872
500 Sportsman H.O. 4x4	04- RSPW02863
600 Sportsman 4x4	03-04 RSPW02863
700 Sportsman 4x4	03-05 RSPW02863
800 Sportsman 4x4	05- RSPW02863
Honda	Art.-Nr.
TRX 350 Rancher 2x4 - 4x4	00-03 RSPW02375
TRX 350 Rancher 2x2 - 4x4	04-05 RSPW02375
TRX 400 Rancher ES 4x4	04- RSPW02375
TRX 400 Rancher AT 4x4	05- RSPW02375
TRX 400 Foreman	95-01 RSPW02381
TRX 450 S/ES	98-04 RSPW02381
TRX 500 Forman S/ES	05- RSPW02877
TRX 500 Rubicon 4x4	01-04 RSPW02379
TRX 650 FA Rincon	03-05 RSPW02367

Yamaha	Art.-Nr.
YFM 350 Bruin 4x4	05- RSPW02855
YFM 350 FX Wolverine	95-04 RSPW02365
YFM 400 Big Bear 4x4	00-04 RSPW02377
YFM 400 Ultramatic Kodiak	03-04 RSPW02365
YFM 400/450 Kodiak 4x4	03-04 RSPW02855
YFM 400 Kodiak	05- RSPW02855
YFM 450 Kodiak 4x4	05- RSPW02855
YFM 600 Grizzly 4x4	98-01 RSPW02366
YFM 660 Grizzly 4x4	02-04 RSPW02383
Rhino 4x4	04- RSPW02383
Suzuki	Art.-Nr.
400 Quadrunner Eiger 4x4	02-04 RSPW02387
400 Quadrunner Eiger-A 4x4	02-04 RSPW02387
LTA 500 Quadmaster	00-01 RSPW02870
LTF 500 Quadrunner	98-02 RSPW02870
Vinson 500	02-04 RSPW02387
700 Twin Peaks	04-05 RSPW02382
700 King Quad	05- RSPW02874
Kawasaki	Art.-Nr.
KVF 650 Prairie 4x4	02-03 RSPW02382
650 Brut Force	05- RSPW02875
KVF 700	04- RSPW02382
750 Brut Force	05- RSPW02876